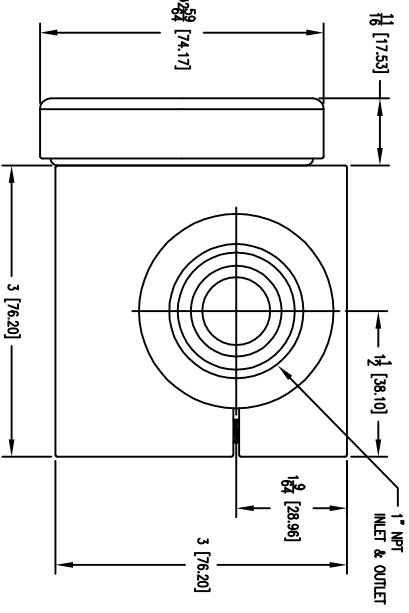
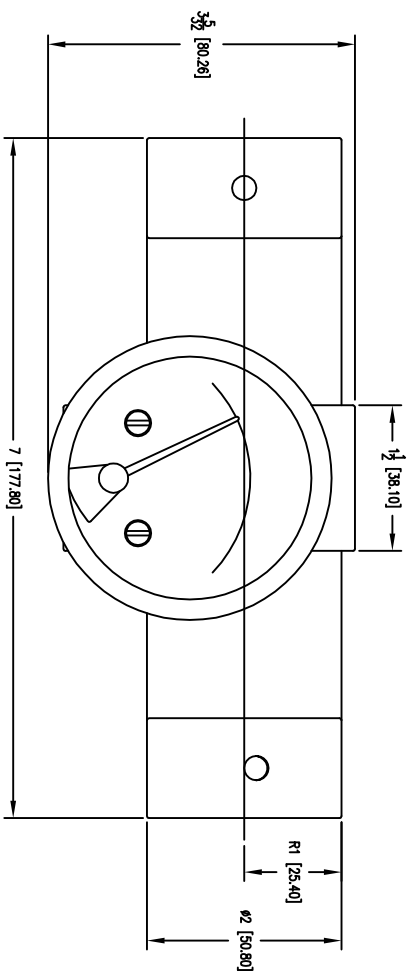


2.5" B-STYLE CASE DTFW OR DTFO 1/4" IN/OUT

2.5" B-STYLE CASE DTFW OR DTFO 1/2" IN/OUT



2.5" B-STYLE CASE DTFW OR DTFO 1" IN/OUT

Ⓢ - CRITICAL DIMENSION
STANDARD TOLERANCES UNLESS NOTED:
ALL DECIMAL DIMENSIONS ± .005
ALL ANGLES ± 1°

NO.	REV.	DATE	NAME	DESCRIPTION
		09-20-11	DTFW & DTFO SERIES	
			ARTWORK	
			(FOR REFERENCE ONLY)	
			CHKD	
			APPD	
			BY/DATE	
			BLP	
			APPROV	
			FR. NO. R4-700914-00	
			DWYER INSTRUMENTS, INC.	
			MICHIGAN CITY, INDIANA 46360 U.S.A.	