

SCALE 1:2

DATE

NAME

DWN BY

CHKD

APPD

PAGE 1 OF 2

NO. 00000

FR. NO. R1-700924-00

ORIGINAL DIMENSION
DIMENSIONS IN MILLIMETERS
ALL DIMENSIONS IN MILLIMETERS
ALL ANGLES IN DEGREES

MATERIAL

FINISH

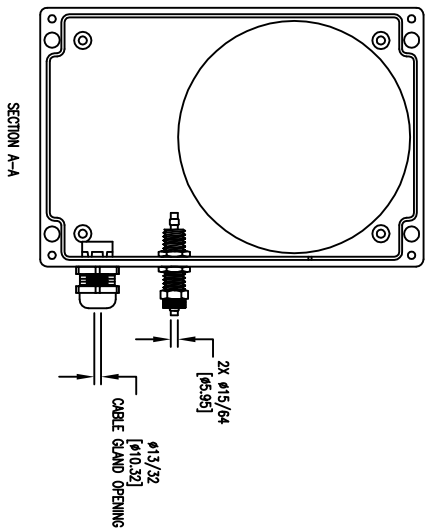
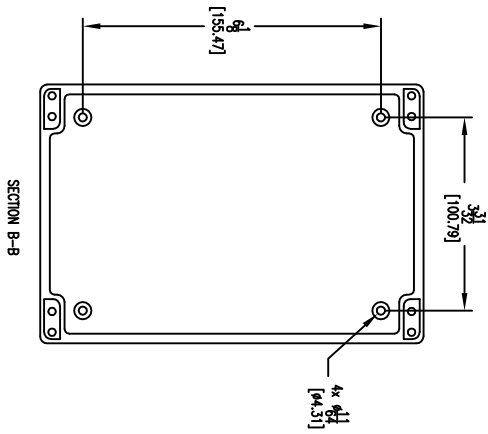
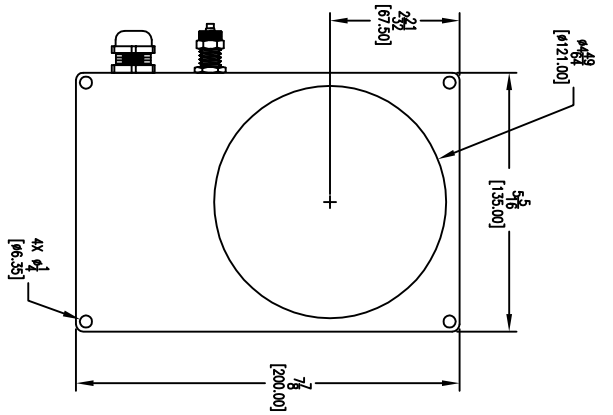
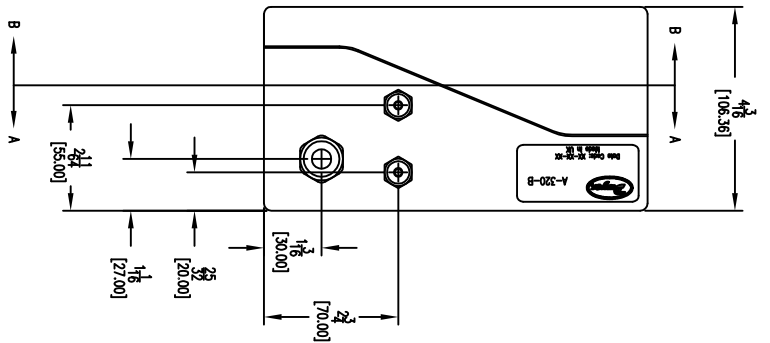
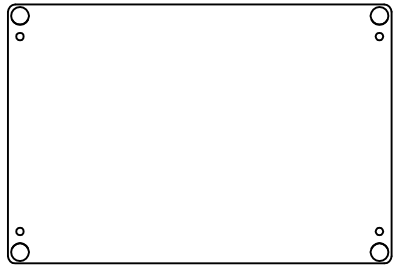
FR. NO. R1-700924-00

DWYER INSTRUMENTS, INC.

MICHIGAN CITY, INDIANA 46360 U.S.A.

FR. NO. R1-700924-00

NOTES: THE DRAWING AND THE PROVISIONS OF ANY SPECIFICATIONS REFERRED TO HEREIN ARE THE SOLE PROPERTY OF DWYER INSTRUMENTS, INC. AND NO PART THEREOF MAY BE REPRODUCED OR TRANSMITTED IN ANY FORM OR BY ANY MEANS, ELECTRONIC OR MECHANICAL, INCLUDING PHOTOCOPYING, RECORDING, OR BY ANY INFORMATION STORAGE AND RETRIEVAL SYSTEM, WITHOUT PERMISSION IN WRITING BY DWYER INSTRUMENTS, INC.



SCALE 1:2

DATE	NAME
DRAWN BY	SERIES A-320
CHD	ABS INSTRUMENT ENCLOSURE
APPD	ARTWORK (FOR REFERENCE ONLY)
	PAGE 2 OF 2

MATERIAL	FINISH
<p>⊕ - CRITICAL DIMENSION Ⓢ - STANDARD TOLERANCES UNLESS NOTED: ALL DIMENSIONS IN INCHES & ALL ANGLES 5°</p>	
<p>DYER INSTRUMENTS, INC. MICHIGAN CITY, INDIANA 46360 U.S.A.</p>	

FR. NO. R1-700924-00

3

10/20/2002