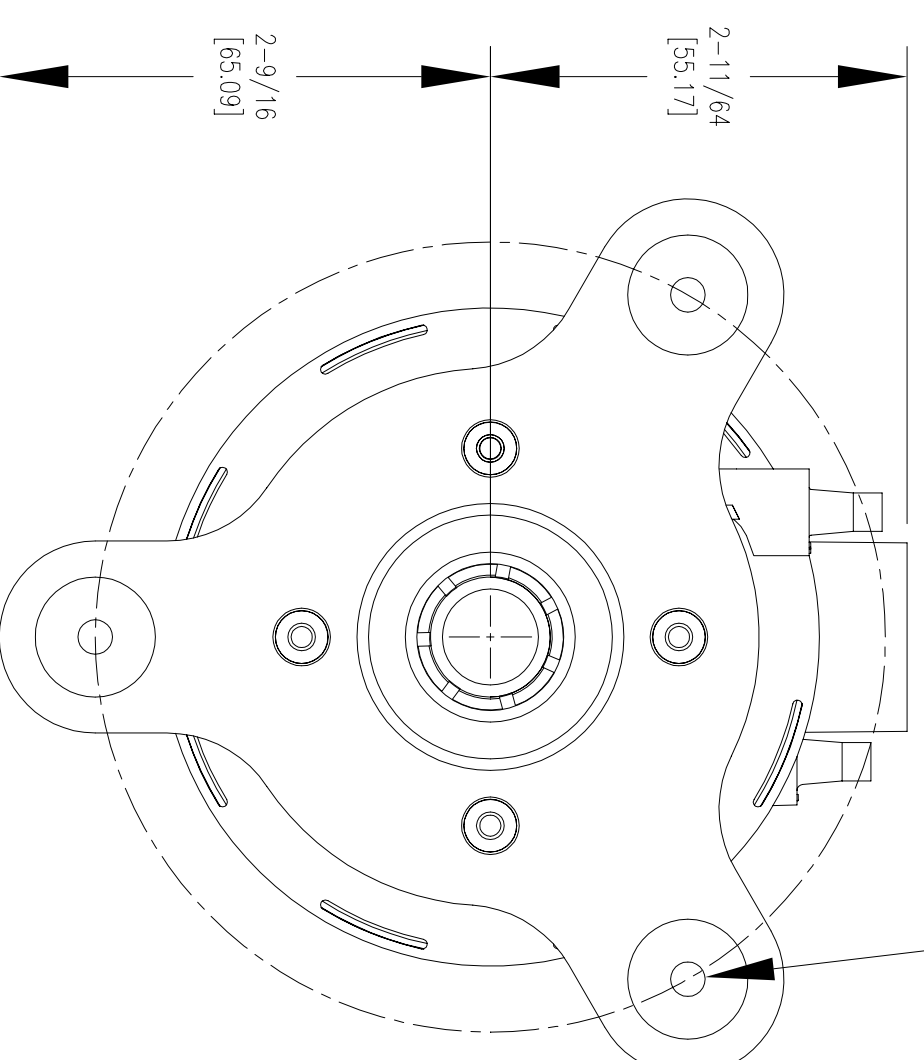
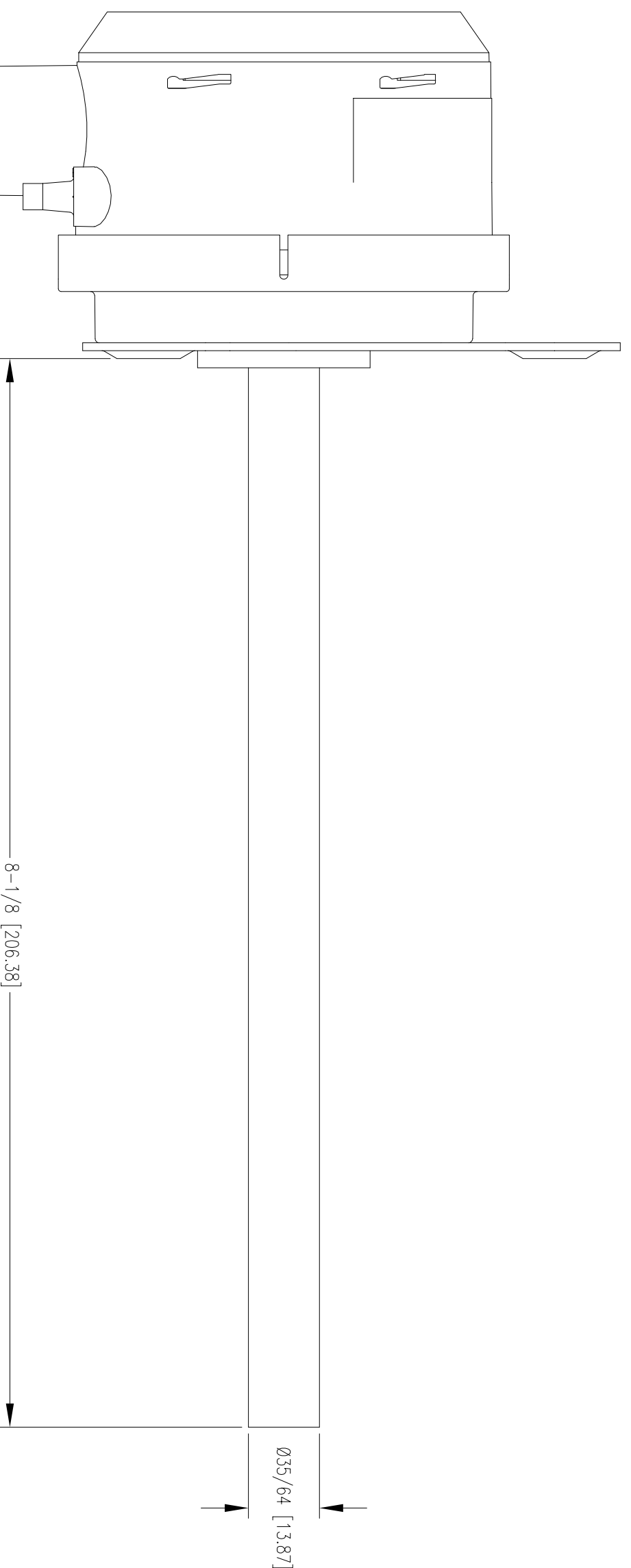


(3) 3/16 [4.76] HOLES
EQUALLY SPACED ON A
4.115 [104.52] BC

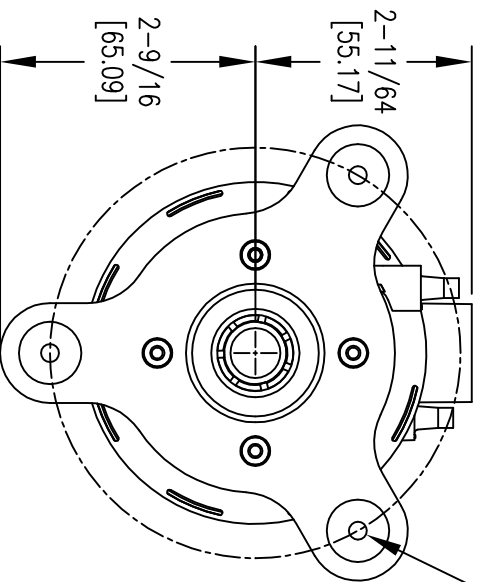
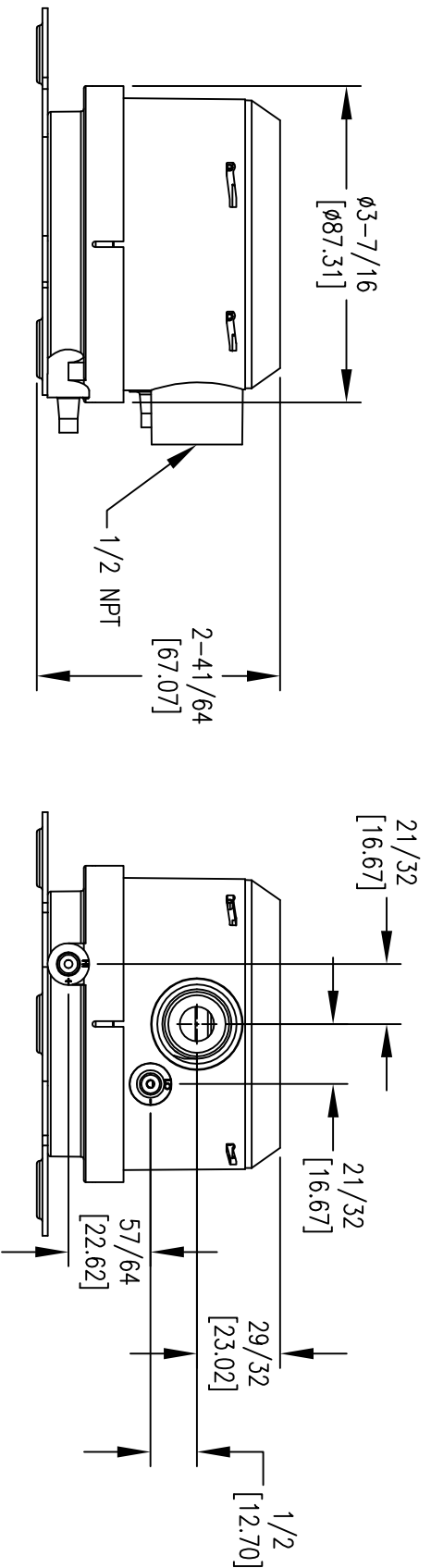


Ⓢ = CRITICAL DIMENSION
STANDARD TOLERANCES UNLESS NOTED:
ALL DECIMAL DIMENSIONS ± .005
ALL ANGLES ± 1°

NO.	CHANGES	DATE	NAME	MAGNESENSE DUCT MOUNT			MATERIAL
				DRWN BY	CHKD	APPD	
							FR. NO. Dwyer Instruments, Inc. Michigan City, Indiana 46350 U.S.A.

NOTICE: This drawing and the precipitate and elements of design embodied therein are the exclusive property of DWYER INSTRUMENTS, INC. and are made available for examination without the written consent of said corporation.

ACAD2002 3



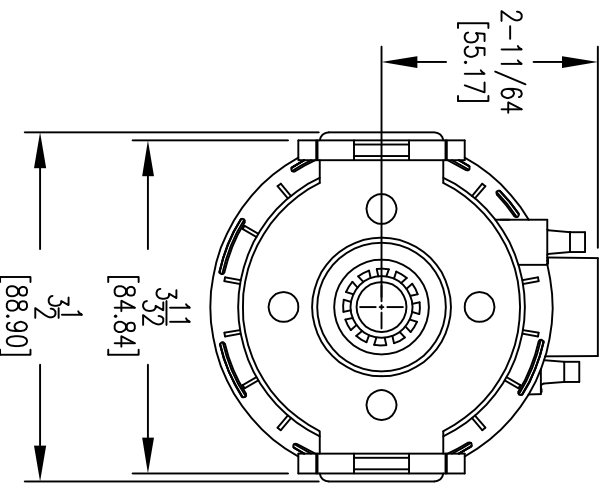
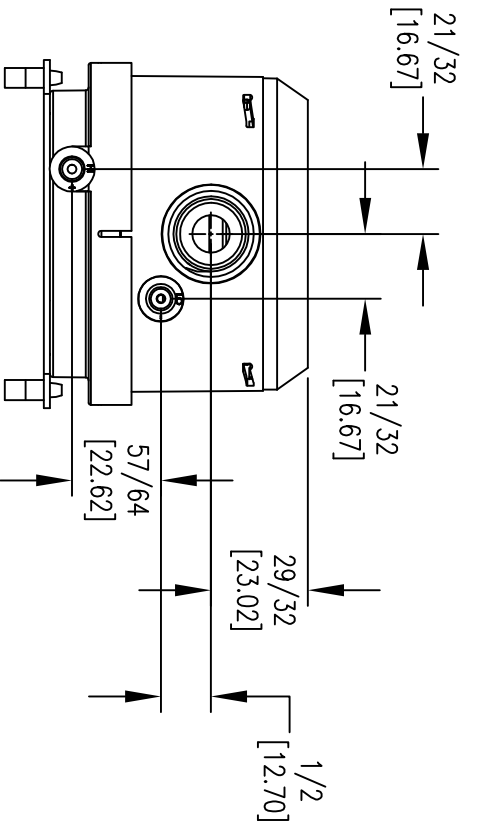
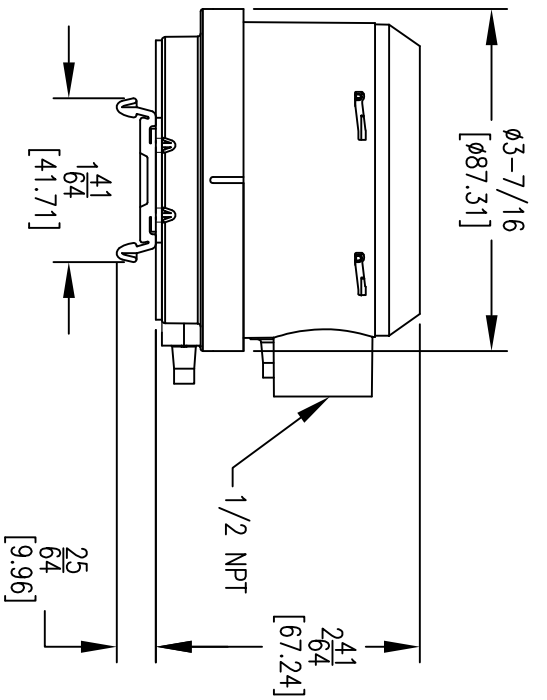
(3) 3/16 [4.76] HOLES
EQUALLY SPACED ON A
4.115 [104.52] BC

Ⓢ = CRITICAL DIMENSION
STANDARD TOLERANCES UNLESS NOTED:
ALL DECIMAL DIMENSIONS ± .005
ALL ANGLES ± 1°

SCALE 1:2

NO.		CHANGES		BY/DATE		APPD		NAME		MATERIAL		FINISH		FR. NO.	
								MAGNESENSE WALL MOUNT						Dwyer Instruments, Inc. Michigan City, Indiana 46360 U.S.A.	
								DATE		DWN BY					
										CHKD					
										APPD					
										ACAD2002				3	

NOTICE: This drawing and the principles and elements of design embodied therein are the exclusive property of DWYER INSTRUMENTS, INC. and are not to be communicated, disclosed, reproduced or used except as previously authorized in writing by such corporation and must not be submitted to outside parties for examination without the written consent of said corporation.



Ⓢ = CRITICAL DIMENSION
 STANDARD TOLERANCES UNLESS NOTED:
 ALL DECIMAL DIMENSIONS ± .005
 ALL ANGLES ± 1°

SCALE 1:2

MATERIAL

NAME

DATE

DWN BY

MAGNESENSE
 W/ DIN MOUNTING BRACKET

CHKD

FINISH

APPD

FR. NO.

CHANGES

BY/DATE

ACAD2002

3

DWYER INSTRUMENTS, INC.
 MICHIGAN CITY, INDIANA 46360 U.S.A.

NOTICE: This drawing and the principles and elements of design embodied therein are the exclusive property of DWYER INSTRUMENTS, INC. and are not to be communicated, disclosed, reproduced or used except as previously authorized in writing by such corporation and must not be submitted to outside parties for examination without the written consent of said corporation.