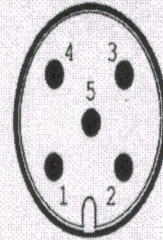
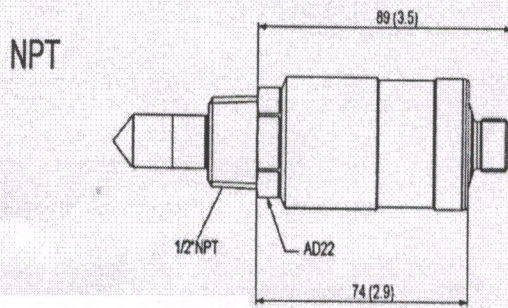
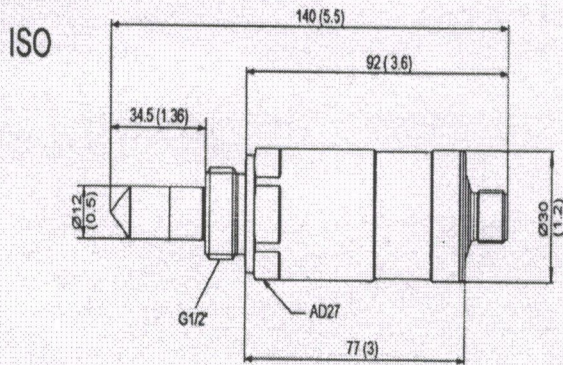


Dimensions in mm (inch)

Connection Diagram



Plug

- 1...V+
- 2...Analog output 4-20 mA
- 3...GND
- 4...RS485 A (=D+)
- 5...RS485 B (=D-)