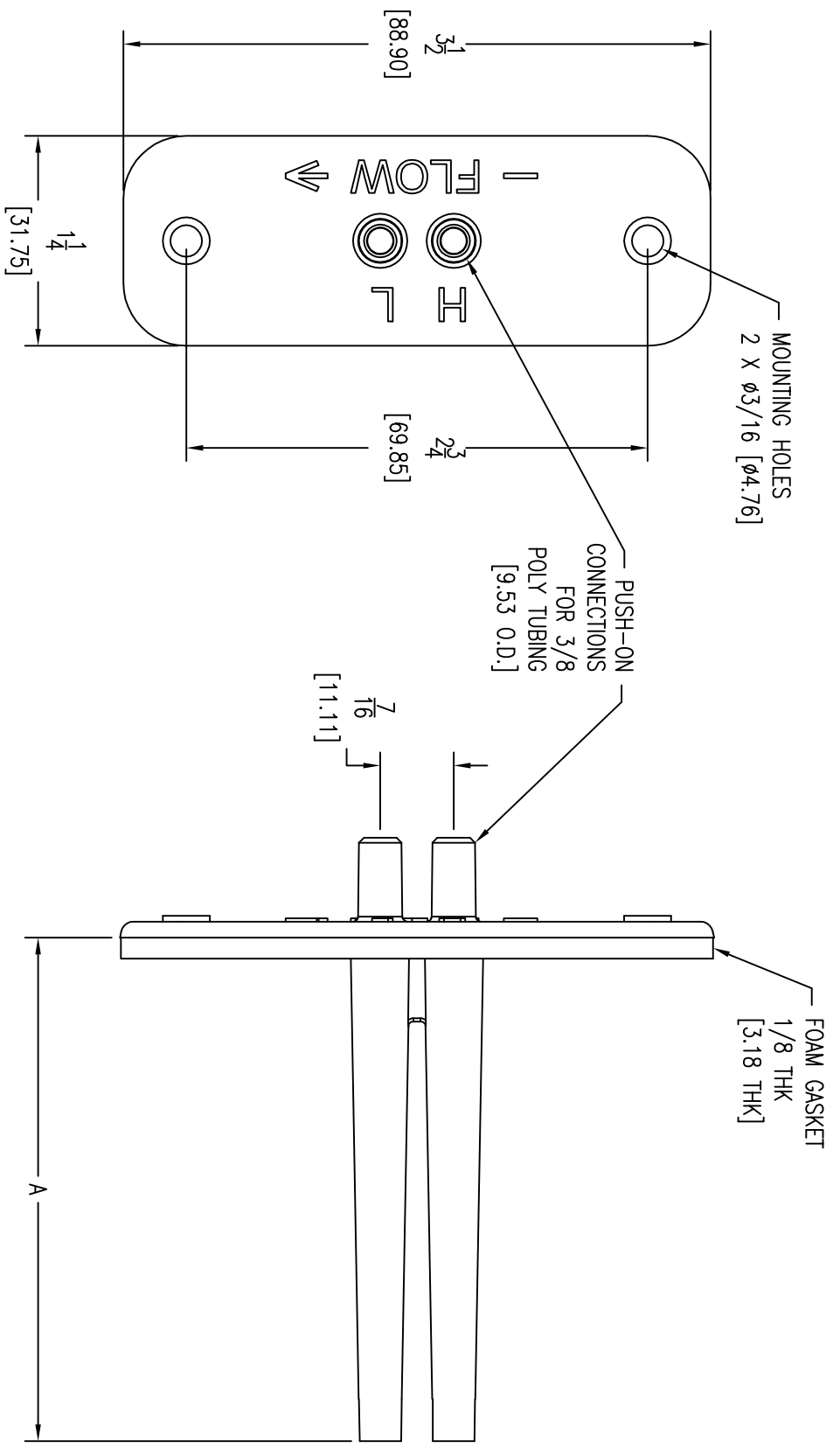
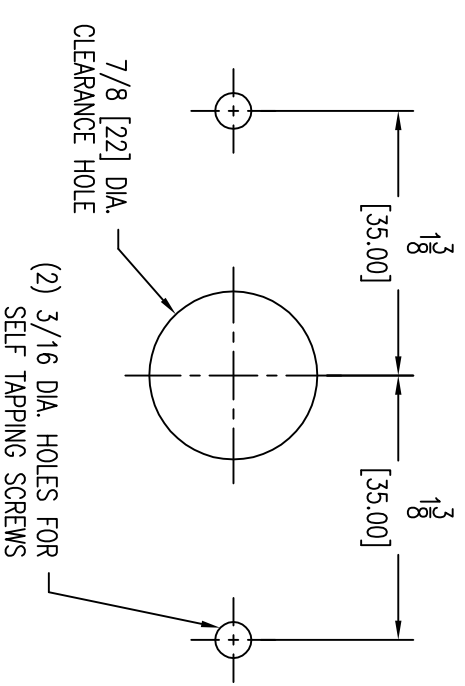


MODEL	# OF SENSING POINTS	SENSOR LENGTH (A)
PAFS-1002	1	3-5/32" (8.02 CM)
PAFS-1003	2	5-13/32" (13.73 CM)
PAFS-1004	3	7-21/32" (19.55 CM)
PAFS-1005	4	9-29/32" (25.26 CM)
PAFS-1006	5	12-1/2" (31.75 CM)
PAFS-1007	6	14-3/4" (37.47 CM)
PAFS-1008	7	17-1/8" (43.50 CM)
PAFS-1009	8	19-13/32" (49.29 CM)
PAFS-1010	9	21-21/32" (55.01 CM)
PAFS-1011	10	23-29/32" (60.72 CM)



MOUNTING DETAILS



SCALE 1:1

◎ = CRITICAL DIMENSION
 STANDARD TOLERANCES UNLESS NOTED:
 ALL DECIMAL DIMENSIONS ±

DATE		NAME	
DWN BY		SERIES PAFS-1000	
CHKD		AVERAGING FLOW SENSOR	
APPD		ARTWORK (FOR REFERENCE ONLY)	
BY/DATE		ACAD2002	
CHANGES		NO. 3	

MATERIAL

FR. NO. 72-701270-00

DWYER INSTRUMENTS, INC.
 MICHIGAN CITY, INDIANA 46360 U.S.A.

NOTICE: This drawing and the principles and elements of design embodied therein are the exclusive property of DWYER INSTRUMENTS, INC. and are not to be reproduced, disseminated, reprinted or used in any way without the written consent of DWYER INSTRUMENTS, INC.