

SCALE 1:2

DATE NAME

DWN BY ABS INSTRUMENT ENCLOSURE

CHKD ARTWORK (FOR REFERENCE ONLY)

TRFD PAGE 1 OF 2

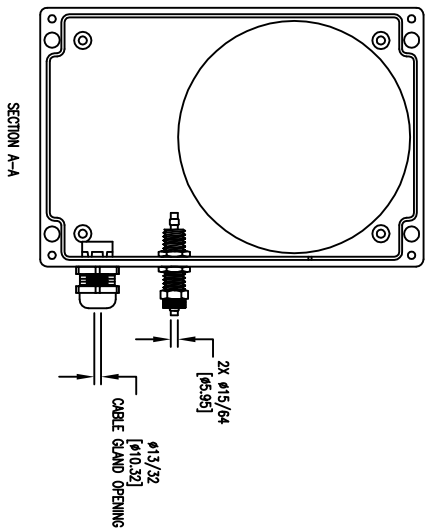
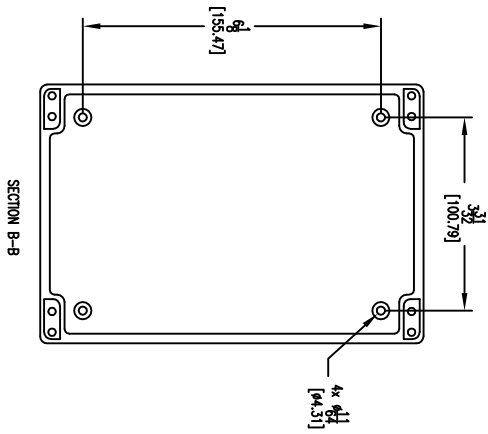
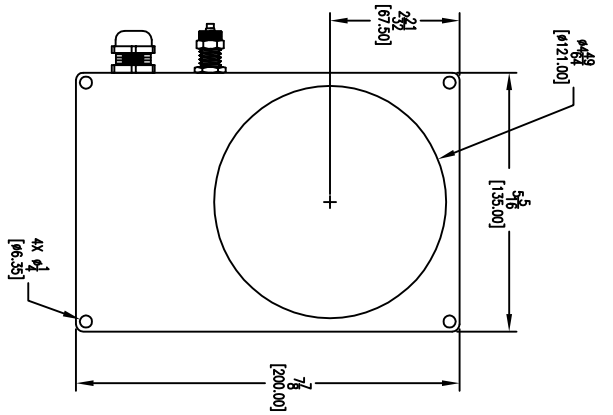
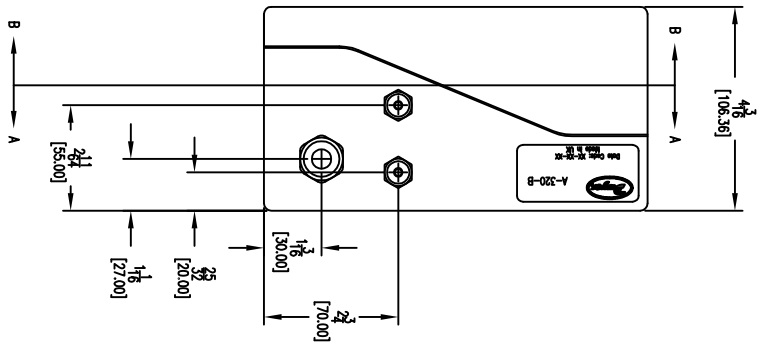
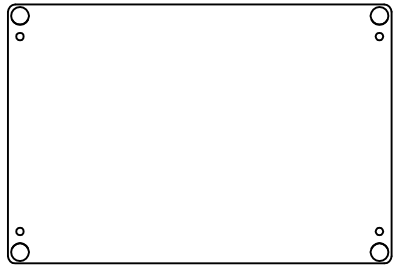
ORIGINAL DIMENSION
DIMENSIONS IN MILLIMETERS
ALL DIMENSIONS IN MILLIMETERS
±

MATERIAL FINISH

DWYER INSTRUMENTS, INC.
MICHIGAN CITY, INDIANA 46360 U.S.A.

FR. NO. R1-700924-00

NOTES: THIS DRAWING AND THE PROVISIONS AND CONDITIONS OF SALE ARE SUBJECT TO THE STANDARD TERMS AND CONDITIONS OF SALE OF DWYER INSTRUMENTS, INC. AND TO THE TERMS AND CONDITIONS OF SALE OF DWYER INSTRUMENTS, INC. WHICH ARE AVAILABLE TO YOU BY REQUESTING A SALES REPRESENTATIVE OR BY VISITING OUR WEBSITE AT WWW.DWYERINSTRUMENTS.COM.



SCALE 1:2

DATE	NAME
DRAWN BY	SERIES A-320
CHKD	ABS INSTRUMENT ENCLOSURE
APPD	ARTWORK (FOR REFERENCE ONLY)
	PAGE 2 OF 2

MATERIAL	FINISH
<p>⊕ - CRITICAL DIMENSION Ⓢ - STANDARD TOLERANCES UNLESS NOTED: ALL DIMENSIONS IN INCHES & ALL ANGLES IN DEGREES</p>	
<p>DYER INSTRUMENTS, INC. MICHIGAN CITY, INDIANA 46360 U.S.A.</p>	

FR. NO. R1-700924-00